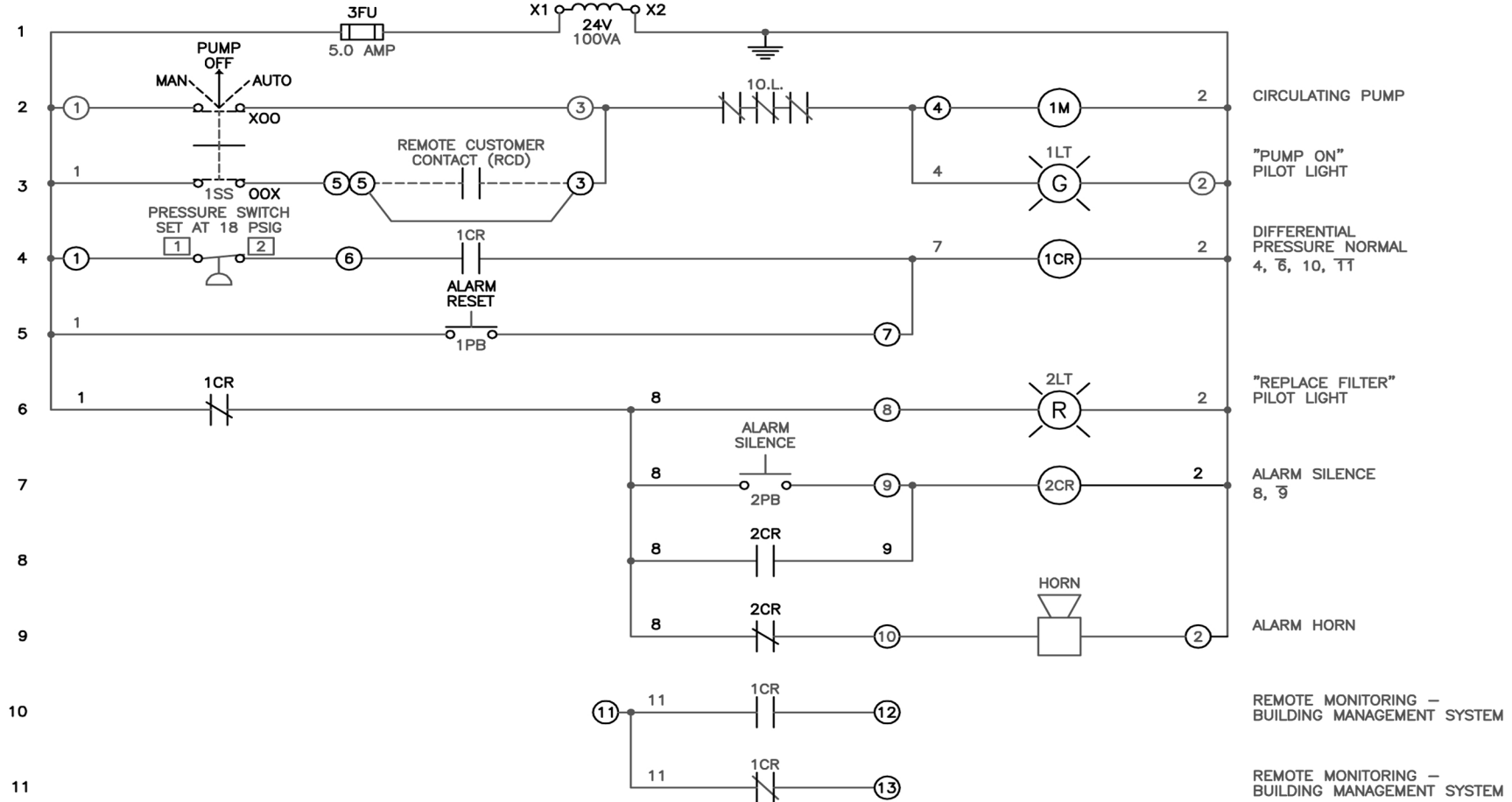


NOTE: MUST BE CONNECTED TO AN UPSTREAM FUSED OR CIRCUIT BREAKER DISCONNECTING MEANS.



**TOWER-FLO**  
Water Filter Systems

TITLE: TFSR CONTROL PANEL - LADDER LOGIC

PROJECT:

DWG BY: FJB

DATE: 01/15/2015