

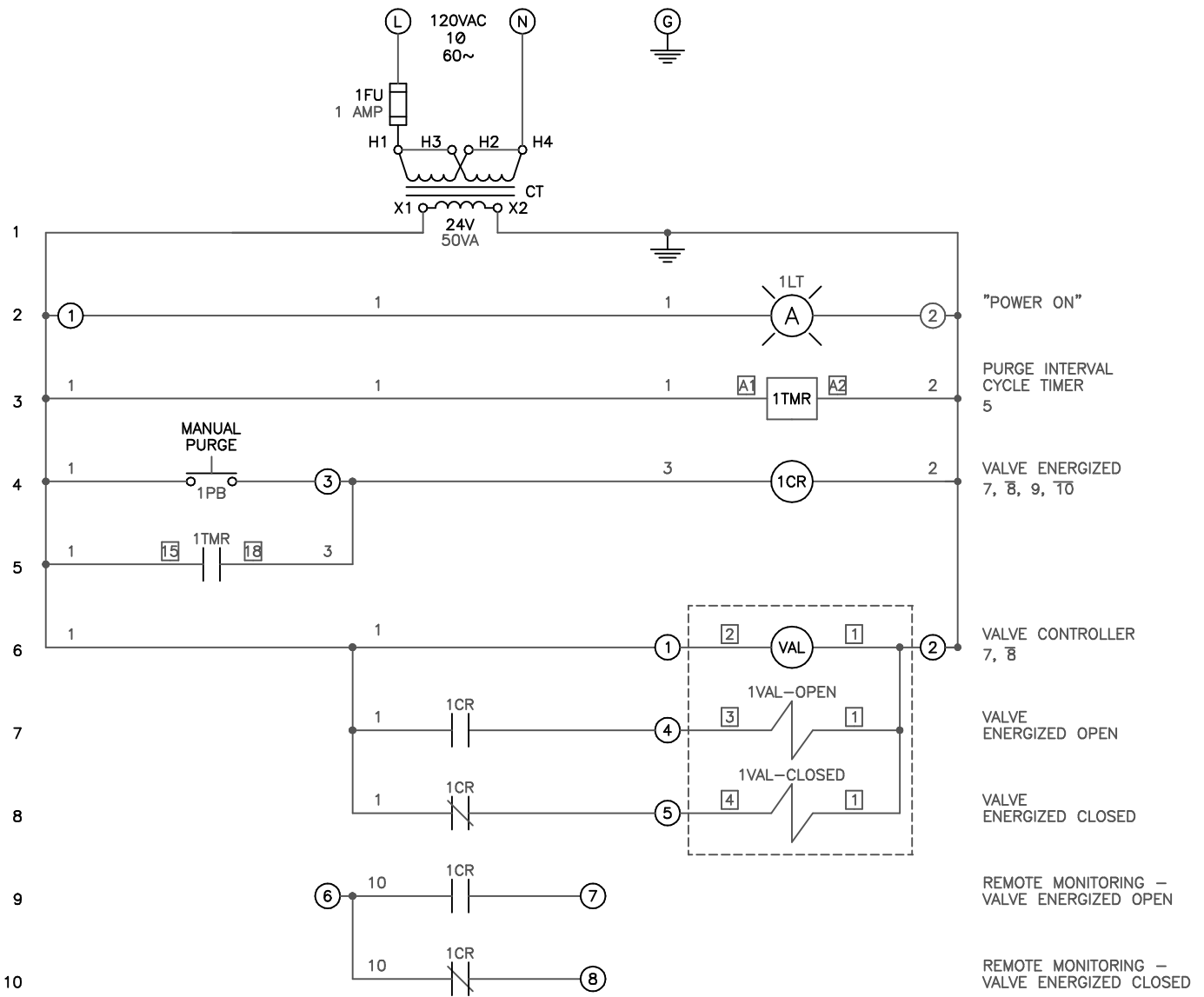
All dimensions are approximate and are subject to change without notice.

Max. Temp: 120°F

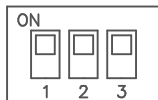
D	H	L
1"	5"	15"



TITLE:	TFCS Purge Piping Water Cleaner Rev. 3	
PROJECT:		
DWG BY:	GSB	DATE: 3/2017



PURGE VALVE DIP SWITCH SETTINGS:



NOTE: SET VALVE DIP SWITCHES
1, 2 & 3 TO "ON" (UP POSITION).

TIMER PANEL FIELD WIRING:

POWER: 120 VAC TO TERMINALS L AND N.
CONNECT GROUND TO TERMINAL G

PURGE VALVE: WIRES 1, 4, 5, AND 2 (NEUTRAL).

TIMER OPERATING INSTRUCTIONS:

- SET THE FUNCTION SECTOR FOR "LP"
- THE TOP TWO DIALS CONTROL THE LENGTH OF TIME BETWEEN PURGES
- THE SECOND DIAL DOWN SHOULD BE SET FOR "10H" (10 HOURS)
- THE TOP DIAL IS SET OF ".2" WHICH MEANS 20% OF THE SECOND DIAL OR 20% OF 10 HOURS, THUS 2 HOURS.
- THE BOTTOM TWO DIALS CONTROL THE LENGTH OF PURGE, OR THE TIME THE VALVE IS OPEN.
- THE BOTTOM DIAL DOWN IS SET FOR "1M" WHICH MEAN 1 MINUTE.
- THE DIAL ABOVE THE BOTTOM DIAL IS SET FOR ".2" WHICH MEANS 20% OF THE BOTTOM DIAL, OR 20% OF 1 MINUTE, WHICH IS 12 SECONDS
- SO WITH ABOVE SETTINGS, THE LENGHT OF PURCH IS 12 SECONDS
- AS DESCRIBED ABOVE, THE VALUE WILL OPEN FO 12 SECOND EVERY TWO HOURS

REF NO:

UNITED INDUSTRIES
STERLING, KANSAS

PRODUCT: TOWER SCOUR PURGE TIMER UNIT
DRAWING NAME: SYSTEM ELECTRICAL

CUSTOMER:

DRAWN:
REVISED:

DRAWING NO.